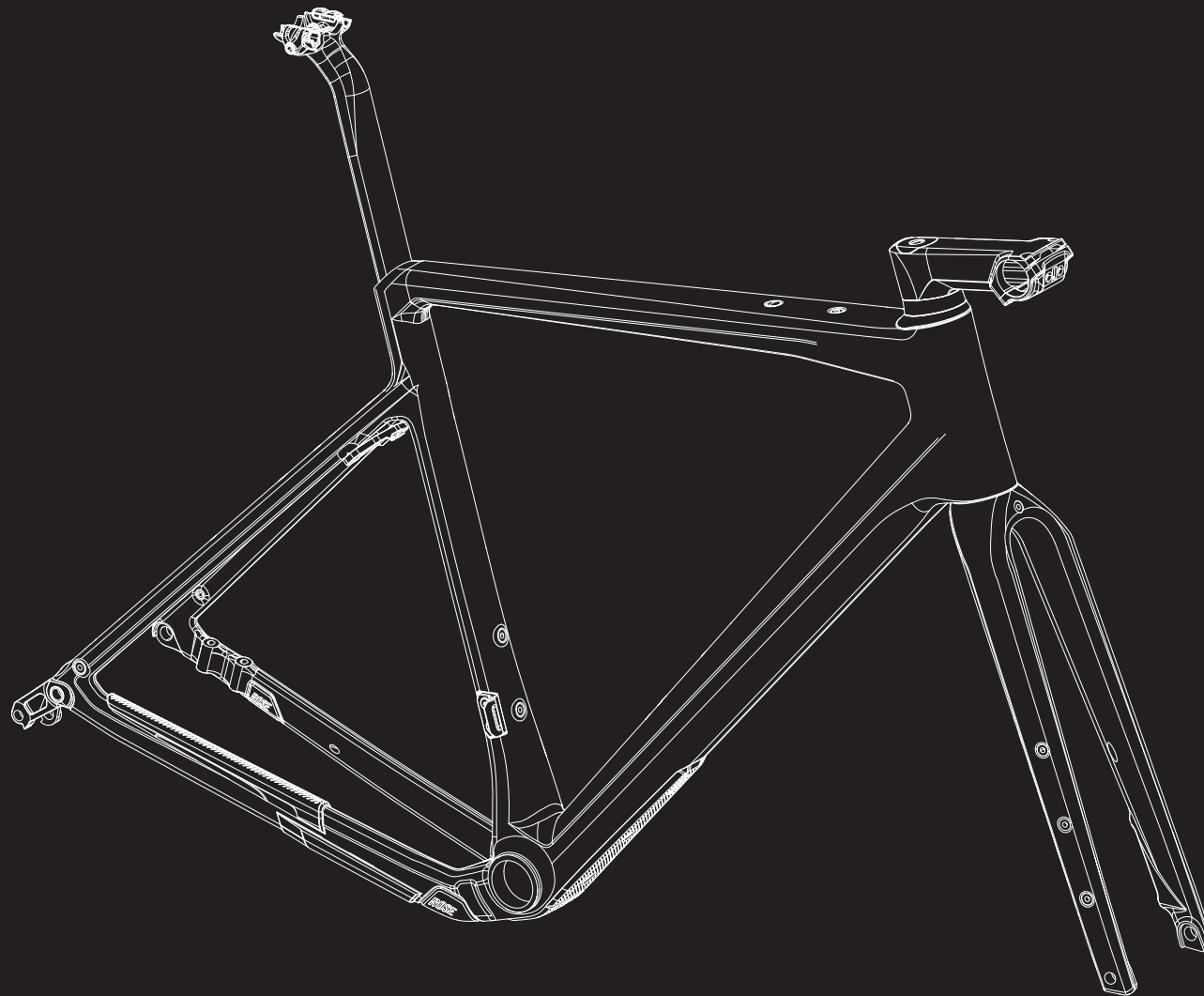


ROSE



ANY QUESTIONS?

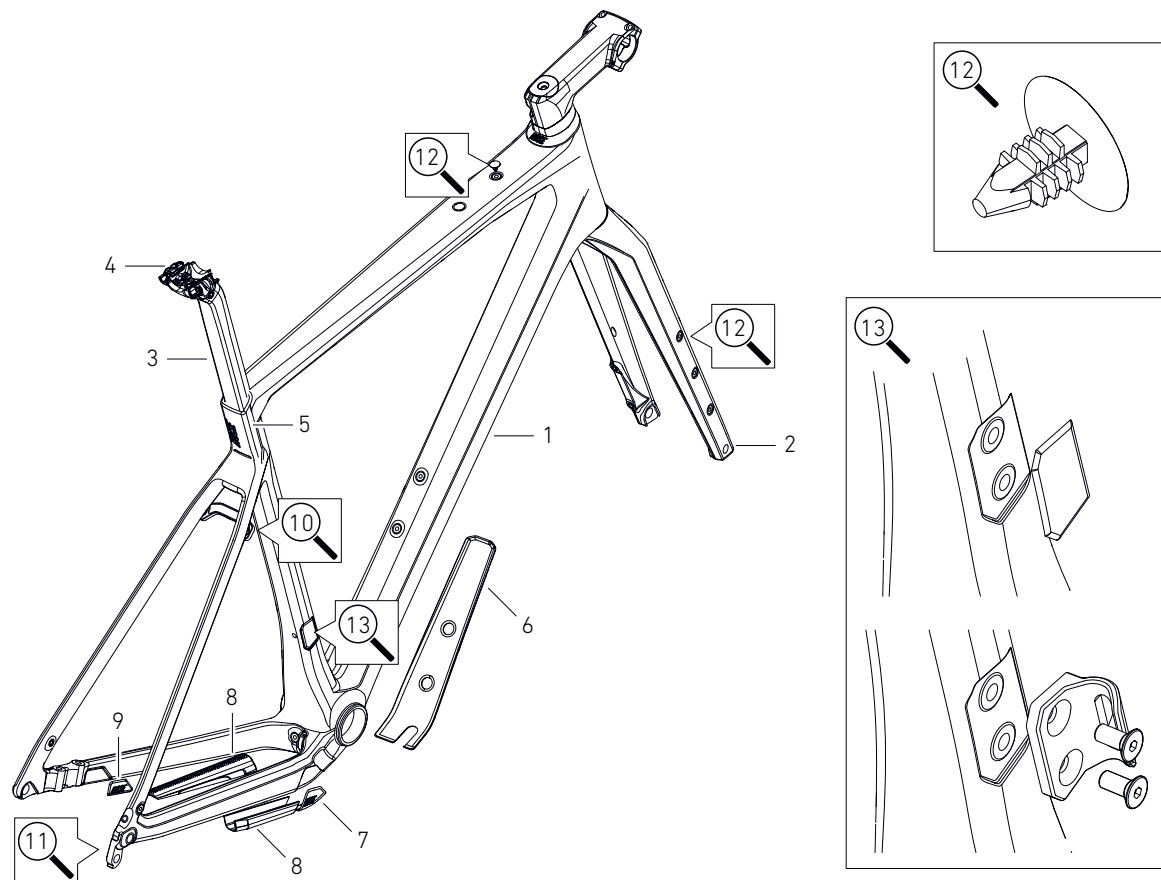
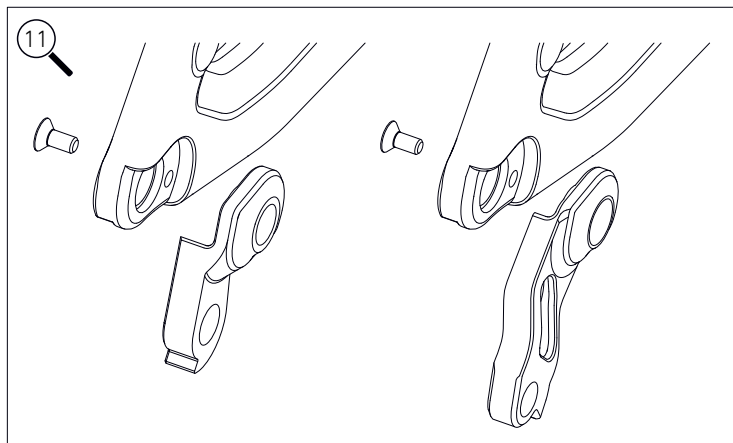
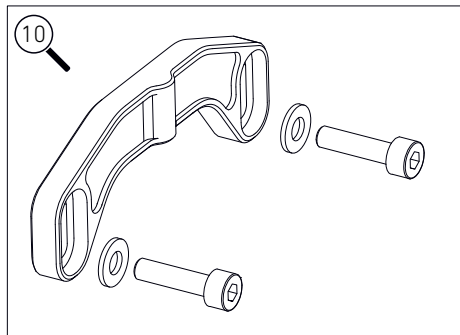
technik@rosebikes.com

ROSE Bikes GmbH
Schersweide 4
46395 Bocholt, Germany

BACK^{ROAD}

CF FRAME DETAILS

BACKROAD CF FRAME DETAILS



| POS. | DESCRIPTION | SPECIFICATIONS | ART. NR. |
|------|-------------------------|-------------------------------|-----------|
| 1 | frame | color: green | 2294159 |
| | | color: purple | 2294160 |
| | | color: grey | 2299016 |
| 2 | fork | color: green | 2294164 |
| | | color: purple | 2294165 |
| | | color: grey | 2299017 |
| 3 | seatpost | 490 mm length / 25 mm setback | 2297790 |
| | | 490 mm length / 8 mm setback | 2299453 |
| | | 400 mm length / 8 mm setback | 2310681 |
| 4 | saddle clamp | Ø 7 mm rail | 2284193 |
| 5 | seatpost clamp cover | | 2289340 |
| 6 | down tube TPR protector | | 2294170 |
| 7 | chain suck plate | | 2294167 |
| 8 | chainstay protector | | 229417101 |
| 9 | chainstay protector | | 2289352 |

| POS. | DESCRIPTION | SPECIFICATIONS | ART. NR. |
|------|-------------------------------------|-----------------------------------|----------|
| 10 | seatstay bridge* | incl. 2x M4 x 16 mm fixing screws | 2294174 |
| 11 | SRAM disc hanger | incl. fixing screw | 2289316 |
| | Shimano disc hanger | incl. fixing screw | 2289315 |
| 12 | pinetree plug | for M5 thread | 2293464 |
| 13 | front derailleur hanger | incl. 2x M5 x 12 mm fixing screws | 2294168 |
| | front derailleur cover plate one-by | | 2294169 |
| | PU foam down tube cable routing | | 2289350 |
| | Di2 front derailleur hole plug | | 2198822 |
| | Di2 rear derailleur hole plug | | 2289347 |
| | rubber plug | for M4 thread | 2300342 |
| | end cap | Jagwire 4.2 mm, black, alloy | 1974766 |
| | light cable plug | Ø 5 mm | 1261228 |
| | plug seatpost clamp screw | | 2178624 |
| | plug headset cap screw | 11 x 4 x 4 mm | 2178624 |

* this part is not fitted to the frame as standard

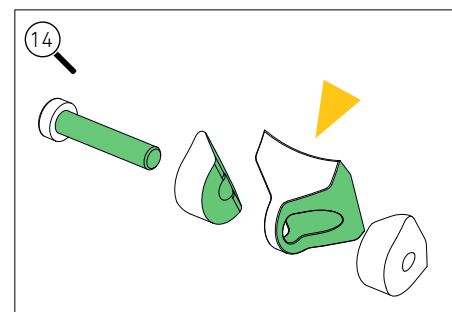
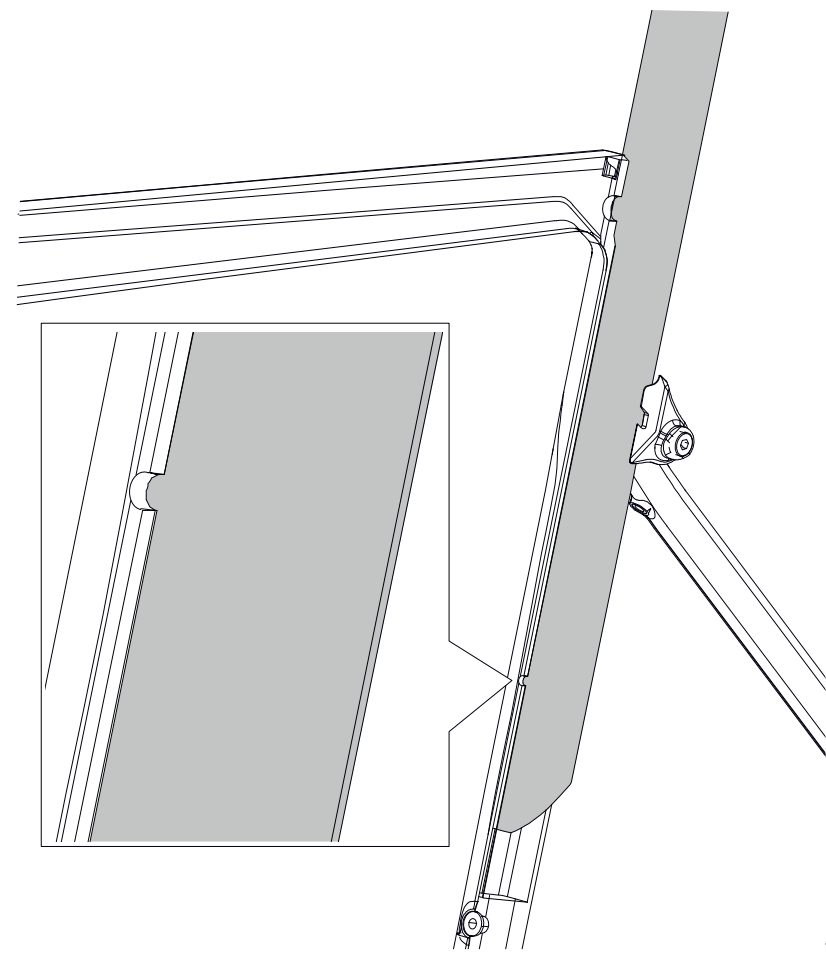
BACKROAD



CF FRAME DETAILS



There is a hole in the seat tube of the frame to verify the minimum seat post insertion depth.

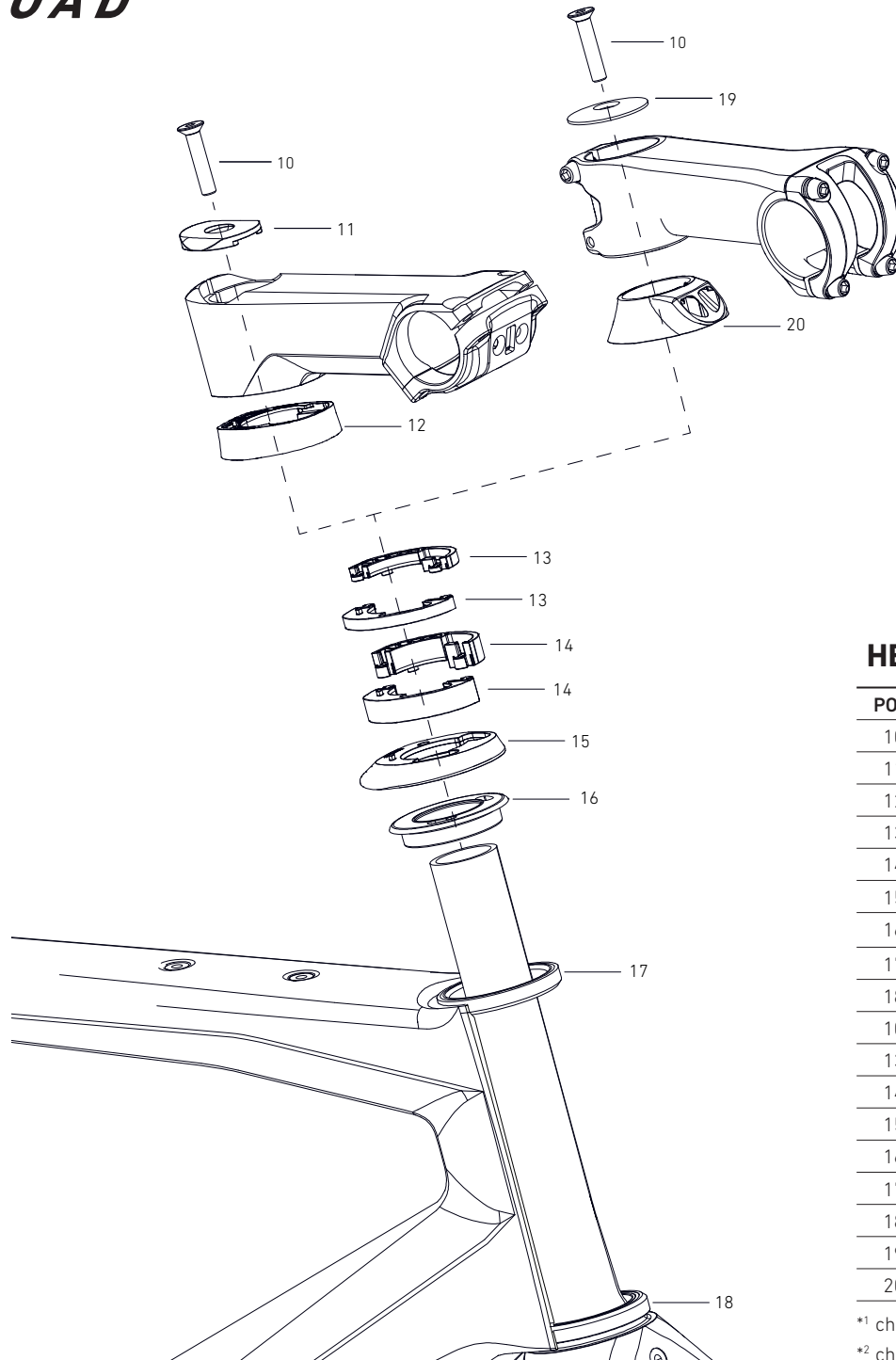
The seatpost must always be inserted that far, that it is visible through the hole.



| | | | |
|--|----------------|--------------------------------|---------------------|
| 14 | seatpost clamp | torque: max. 5 Nm | 2289345 |
|  | GREASE | Motorex Bike Grease 2000 100 g | 49208600 |
|  | THREADLOCKER | mid strength | for example 1322431 |

BACKROAD

CF FRAME DETAILS



HEADSET DETAILS

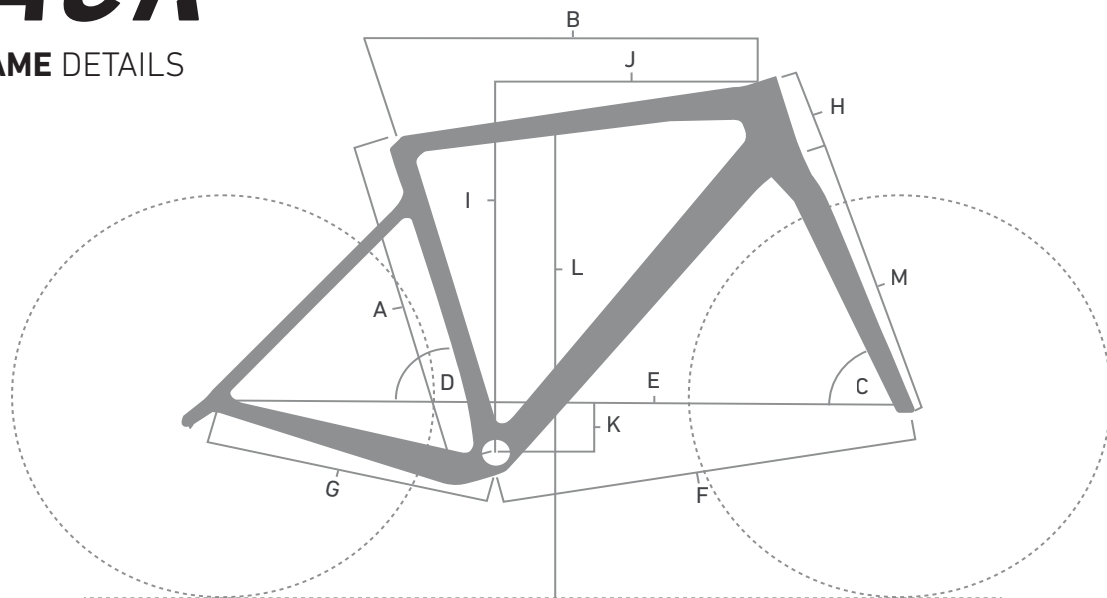
| POS. | DESCRIPTION | SPECIFICATIONS | ART. NR. |
|------|------------------------|------------------------------------|-----------|
| 10 | countersunk head screw | DIN7991, M6 X 30 mm | 2292459 |
| 11 | top cap | | |
| 12 | top cover | for fully integrated cable routing | |
| 13 | spacer | different heights available*1 | |
| 14 | spacer | different heights available*1 | |
| 15 | headtube cover | | |
| 16 | compression ring | Ø1 1/8" | |
| 17 | upper bearing | 42 x 52 x 7 mm | 230922801 |
| 18 | lower bearing | 40 x 52 x 7 mm, R1 | |
| 10 | countersunk head screw | DIN7991, M6 X 30 mm | |
| 13 | spacer | different heights available*2 | |
| 14 | spacer | different heights available*2 | |
| 15 | headtube cover | | |
| 16 | compression ring | Ø1 1/8" | |
| 17 | upper bearing | 42 x 52 x 7 mm | |
| 18 | lower bearing | 40 x 52 x 7 mm, R1 | |
| 19 | top cap | | |
| 20 | top cover | for semi integrated cable routing | |

*1 choose art. nr. 2292460

*2 choose art. nr. 2299271

BACKROAD

CF FRAME DETAILS



FRAME GEOMETRY

| | | 50 | 53 | 55 | 57 | 59 | 62 |
|--------------------------------------|---|------|--------|-------|--------|------|------|
| SEATTUBE LENGTH [MM] | A | 450 | 480 | 500 | 520 | 540 | 575 |
| TOPTUBE LENGTH HORIZONTAL [MM] | B | 515 | 534 | 550 | 568 | 582 | 602 |
| HEAD TUBE ANGLE | C | 71° | 71.25° | 71.5° | 71.75° | 72° | |
| SEAT TUBE ANGLE | D | 75° | 74.5° | 74° | 73.5° | | |
| WHEELBASE [MM] | E | 1000 | 1012 | 1021 | 1039 | 1051 | 1072 |
| FRONT CENTER [MM] | F | 585 | 597 | 606 | 617 | 628 | 649 |
| REAR CENTER [MM] (CHAINSTAY LENGTH) | G | 427 | | | 434 | | |
| HEADTUBE LENGTH [MM] | H | 100 | 120 | 135 | 150 | 165 | 188 |
| STACK [MM] | I | 536 | 555 | 570 | 586 | 601 | 623 |
| REACH [MM] | J | 371 | 380 | 386 | 395 | 404 | 417 |
| STACK TO REACH RATIO | | 1.44 | 1.46 | 1.48 | | 1.49 | |
| BB DROP [MM] | K | 76 | | | | | |
| STAND-OVER HEIGHT (100 MM BEFORE BB) | L | 757 | 782 | 799 | 816 | 834 | 862 |
| FORK LENGTH [MM] | M | 405 | | | | | |
| FORK OFFSET [MM] | | 47 | | | | | |

FRAME INTERFACES

| | |
|------------------------|---|
| BOTTOM BRACKET | Shimano: SM-BB72-41B Pressfit Sram: DUB PF Road 86,5 |
| FRONT WHEEL AXLE | 12 x 100 mm: ROSE Art. Nr.: 227585701 |
| REAR WHEEL AXLE | 12 x 142 mm, ROSE Art. Nr.: 227469001 |
| FRONT BRAKE MOUNT | Flatmount 160 mm |
| REAR BRAKE MOUNT | Flatmount 160 mm |
| MAX Ø DISC | front: 180 mm / rear 160 mm |
| Ø SEATPOST | D-shape |
| MAX. TIRE SIZE | 700x45c / 650Bx47 |
| MAX. CHAINRING SIZE | 1x 46T / 2x 48-31T |
| FRONT DERAILLEUR MOUNT | only Shimano GRX |
| BOTTLE CAGE | yes, 4x frame and 2x fork |

MAX SYSTEM WEIGHT (RIDER + BICYCLE + CLOTHING + GEAR + LUGGAGE): 110 KG

INTENDED USE: DIN 17406 CATEGORY 2