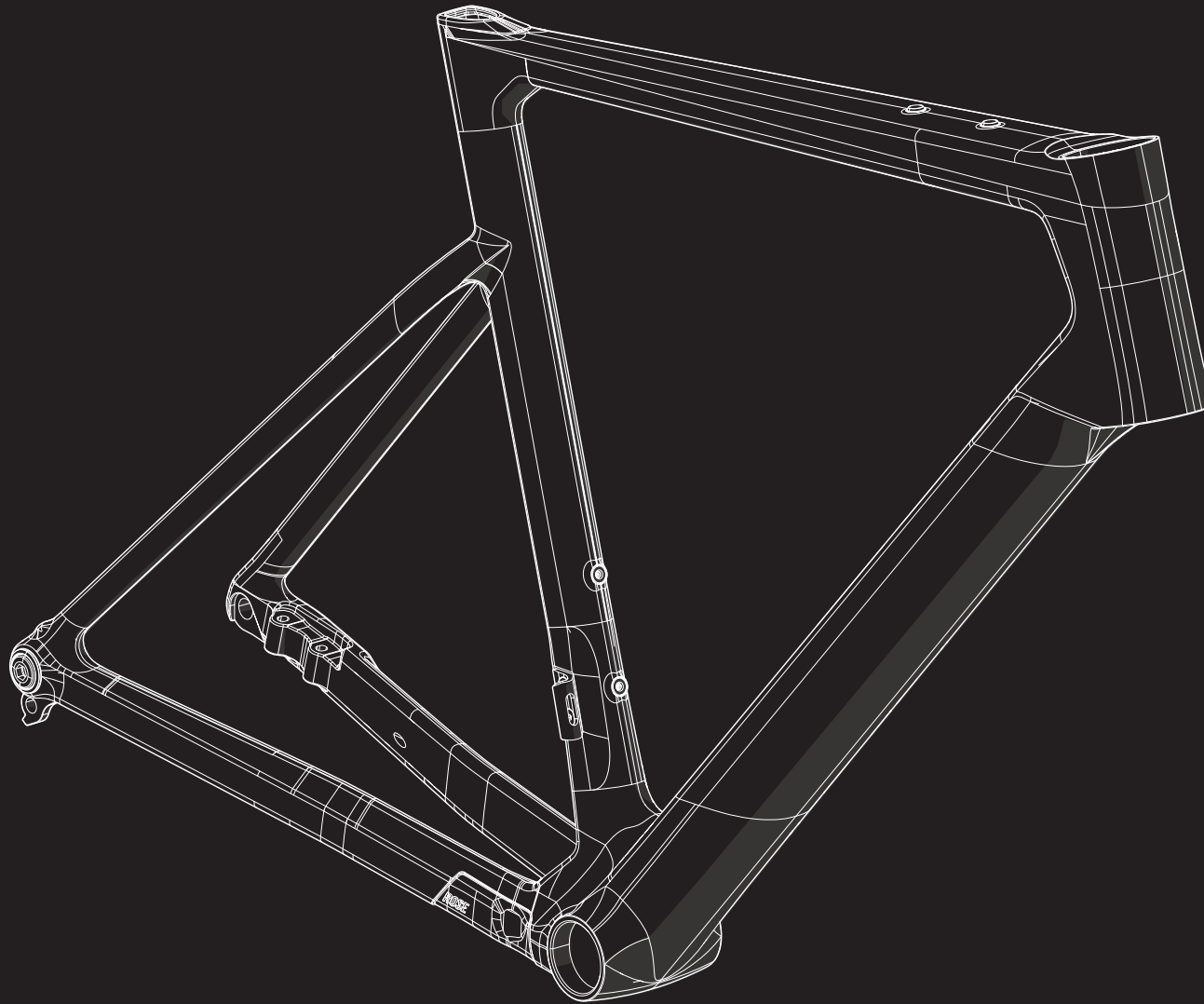


ROSE



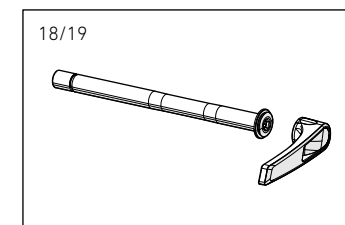
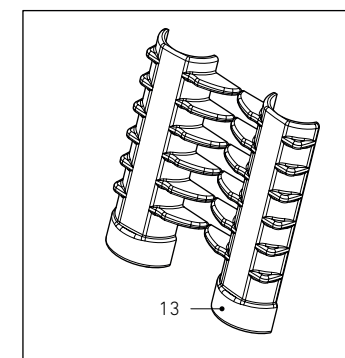
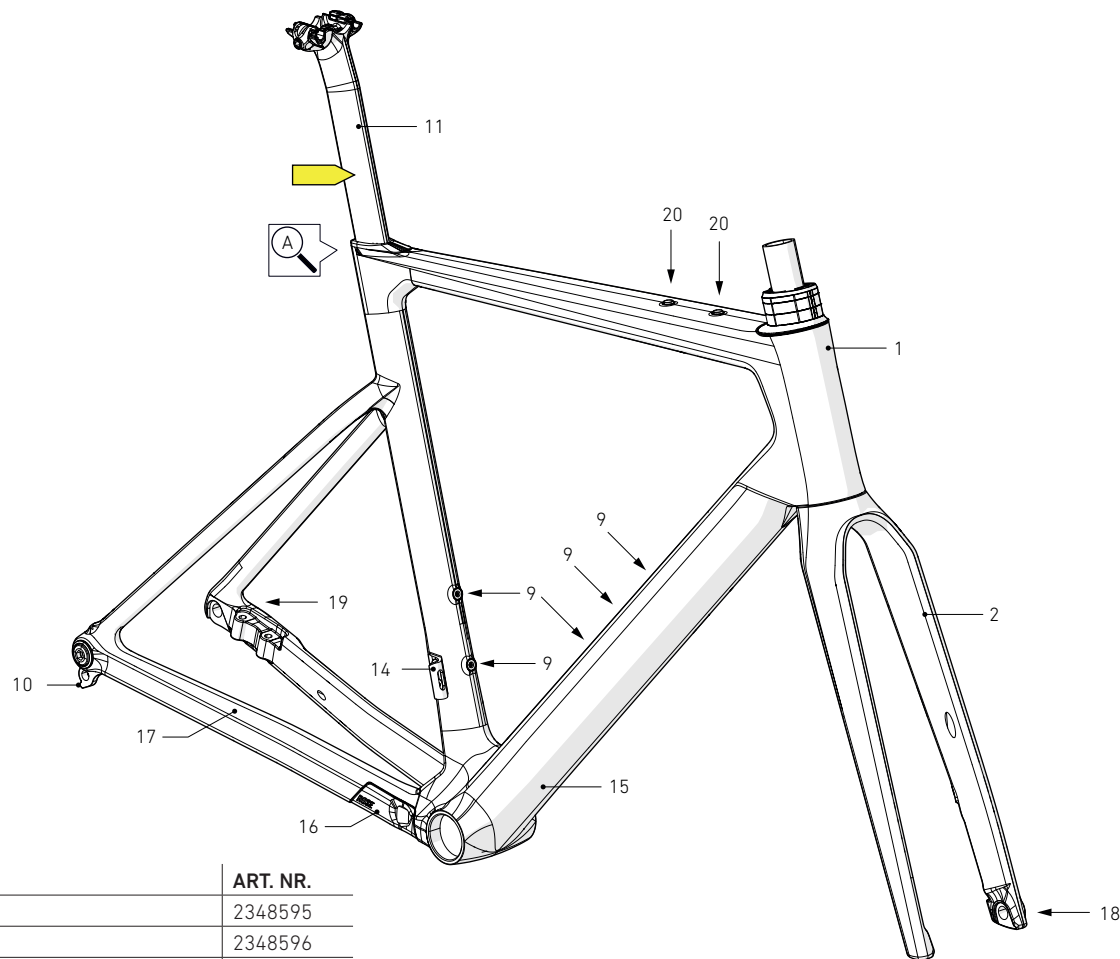
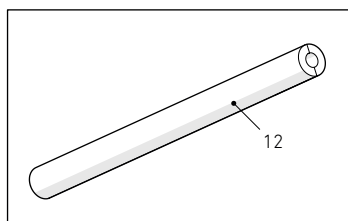
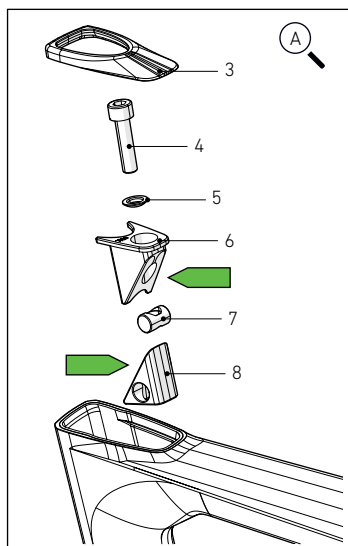
ANY QUESTIONS?
technik@rosebikes.com

ROSE Bikes GmbH
Schersweide 4
46395 Bocholt, Germany

B A C K R O A D ^{FF}

FRAME DETAILS

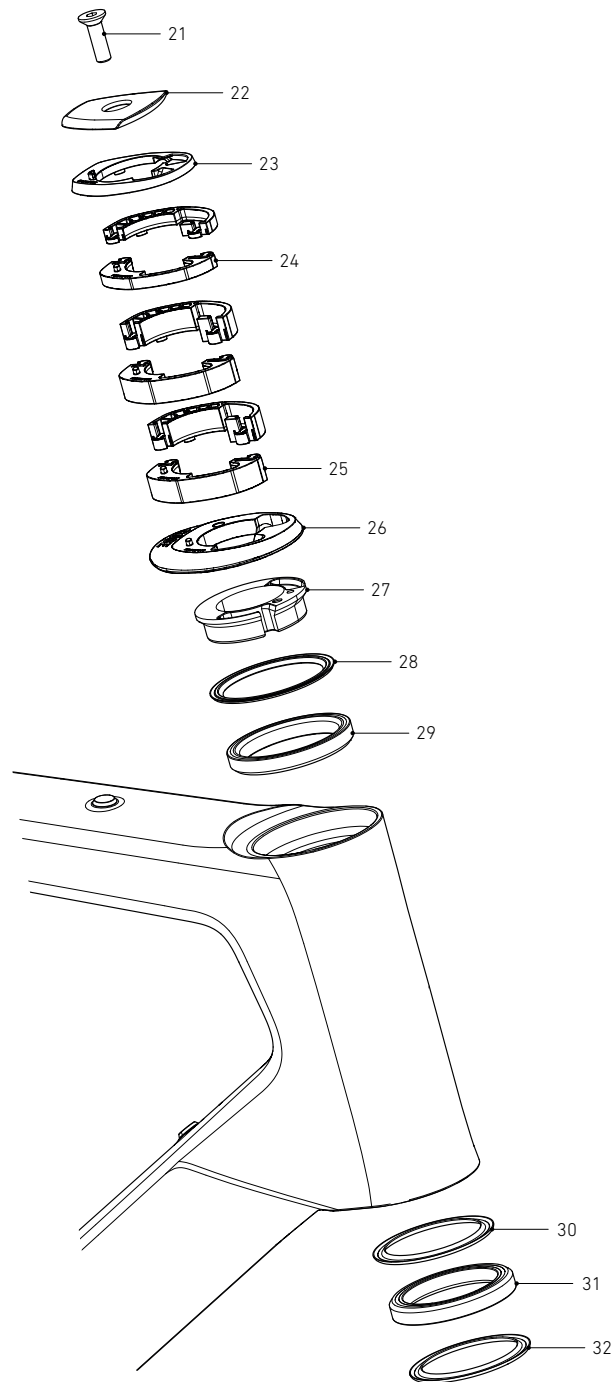
BACKROAD FF FRAME DETAILS



POS.	DESCRIPTION	SPECIFICATIONS	ART. NR.
1	frame Backroad FF	color: pistachio	2348595
		color: supersonic grey	2348596
		color: rotten candy	2348597
2	fork Backroad FF	color: pistachio	2348603
		color: supersonic grey	2348604
		color: rotten candy	2348605
3	clamp cover	rubber/TPU	2336586
4	seatpost clamp screw	screw M6x25 mm	234974801
5	spacer		
6	upper clampblock		
7	lower clampblock		
8	barrel nut		
9	bottle screw	M5x16 mm	2336592
10	R/D hanger		230116501
11	seat post	apply assembly paste	231072701
	saddle clamp	for 7x9.6 mm rails	234332201
	saddle clamp	for 7x7 mm rails	228419301

POS.	DESCRIPTION	SPECIFICATIONS	ART. NR.
12	PU-tube for internal cables		2336585
13	Di2 battery holder		2336584
14	front derailleurs hanger		2336582
	front derailleurs hanger screw		2336583
15	down tube protector		2336594
16	chain suck plate		2336596
17	chainstay protector		2336595
18	front wheel axle	12x100 mm Length 121mm, Pitch 1.5	234477401
19	rear wheel axle	12x142 mm Length 167.7mm, Pitch 1.0	233676401
20	plug		2338994
	GREASE	Motorex Bike Grease 2000 100 g	49208600
	CARBON ASSEMBLY PASTE	Motorex Carbon Paste 100g	1487765

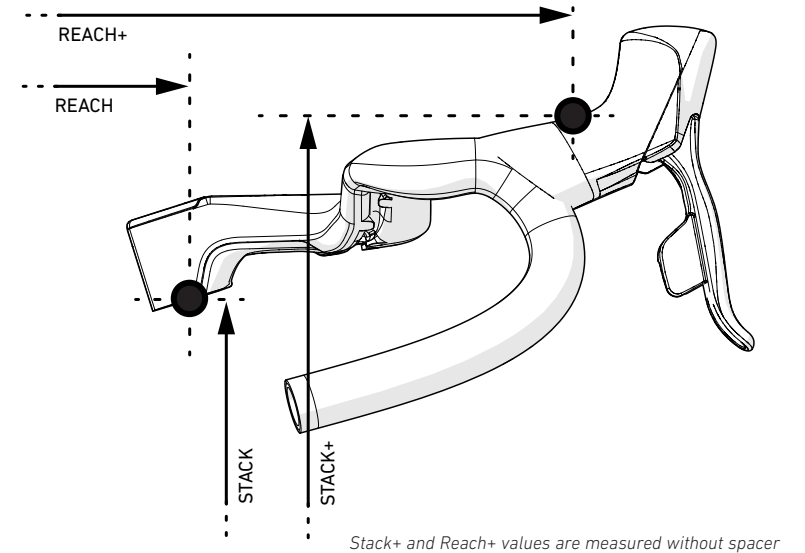
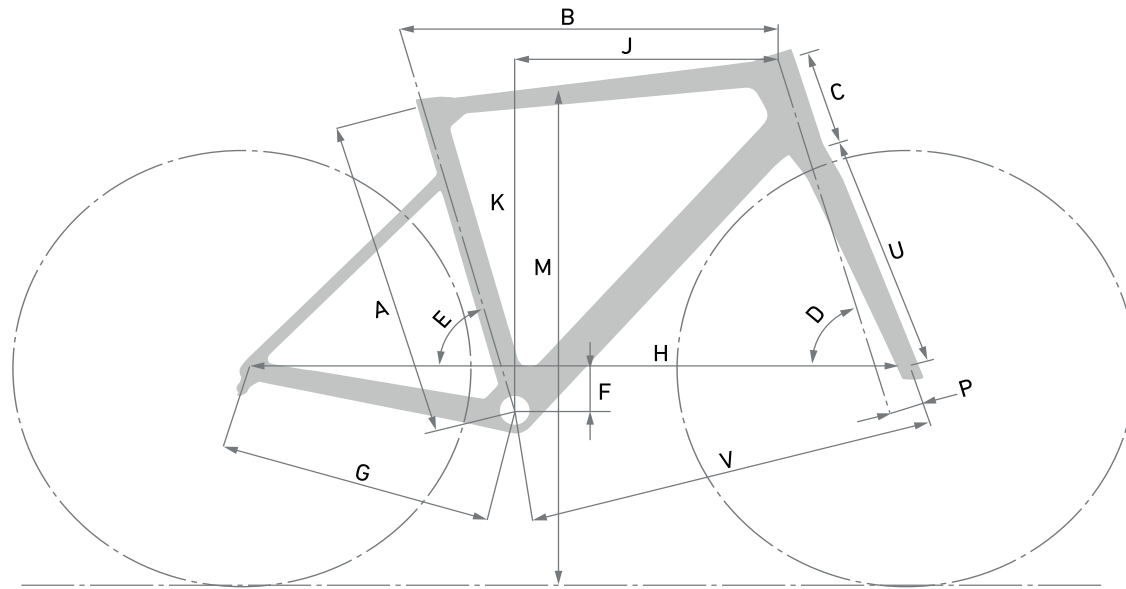
BACKROAD^{FF} FRAME DETAILS



HEADSET DETAILS

POS.	DESCRIPTION	SPECIFICATIONS	ART. NR.	
21	top cap screw	DIN7991M6X30A2	2314823	2335936
22	top cap			
23	top cover		2346730	
24	1/2 spacer, 5 mm			
25	1/2 spacer, 10 mm			
26	headtube cover		2346731	
27	compression ring		2341678	
28	upper headset sealing		235308801	
29	upper bearing		2337920	
30	lower headset sealing		235367001	
31	lower bearing		2337921	
32	lower headset sealing			

BACKROAD ^{FF}



FRAME GEOMETRY

		XS	S	M	ML	L	XL
SEATTUBE LENGTH [MM]	A	450	482	505	525	550	585
TOPTUBE LENGTH HORIZONTAL [MM]	B	505	527	546	564	582	603
HEADTUBE LENGTH [MM]	C	100	118	134	153	171	195
HEAD TUBE ANGLE	D	71,25°	71,75°	72,00°	72,25°	72,5°	72,5°
SEAT TUBE ANGLE	E	76,25 (eff.76,25)	75,5 (eff.75,1)	75,0 (eff.74,7)	74,5 (eff.74,1)	74,5 (eff.74,1)	74,5 (eff.74,1)
BB DROP [MM]	F	75	75	75	72	72	72
REAR CENTER [MM] (CHAINSTAY LENGTH)	G	420	420	420	420	420	420
WHEELBASE [MM]	H	993	1005	1016	1030	1046	1067
REACH [MM]	J	377	387	396	405	418	432
STACK [MM]	K	523	542	558	574	592	616
REACH * [MM]	J1	547	557	576	585	608	622
STACK + [MM]	K1	608	627	643	659	677	701
STAND-OVER HEIGHT (100 MM BEFORE BB)	M	751	777	796	817	837	868
FORK OFFSET [MM]	P	48	48	48	48	48	48
FORK LENGTH [MM]	U	390	390	390	390	390	390
FRONT CENTER [MM]	V	585	596	608	620	636	658
STACK TO REACH RATIO		1.37	1.38	1.39	1.40	1.40	1.41

FRAME INTERFACES

BOTTOM BRACKET	Pressfit BB86 / DUB Wide
FRONT WHEEL AXLE	12x100mm Length 121mm, Pitch 1.5 (234477401)
REAR WHEEL AXLE	12x142mm Length 167.7mm, Pitch 1.0 (233676401)
FRONT BRAKE MOUNT	140mm
REAR BRAKE MOUNT	140mm
Ø BRAKE DISC	140 mm, with use of an adapter max. 160 mm
Ø SEATPOST	D-Shape / also compatible with 0 mm Offset (234217101) and 14 mm Offset (234217102)
MAX. TIRE SIZE	45mm
MAX. CHAINRING SIZE	1x: 50 / 2x: 48-31T
BOTTLE CAGE	yes, 2x

MAX SYSTEM WEIGHT (RIDER + BICYCLE + CLOTHING + GEAR + LUGGAGE): 120 KG
 INTENDED USE: DIN EN 17406 CATEGORY 2