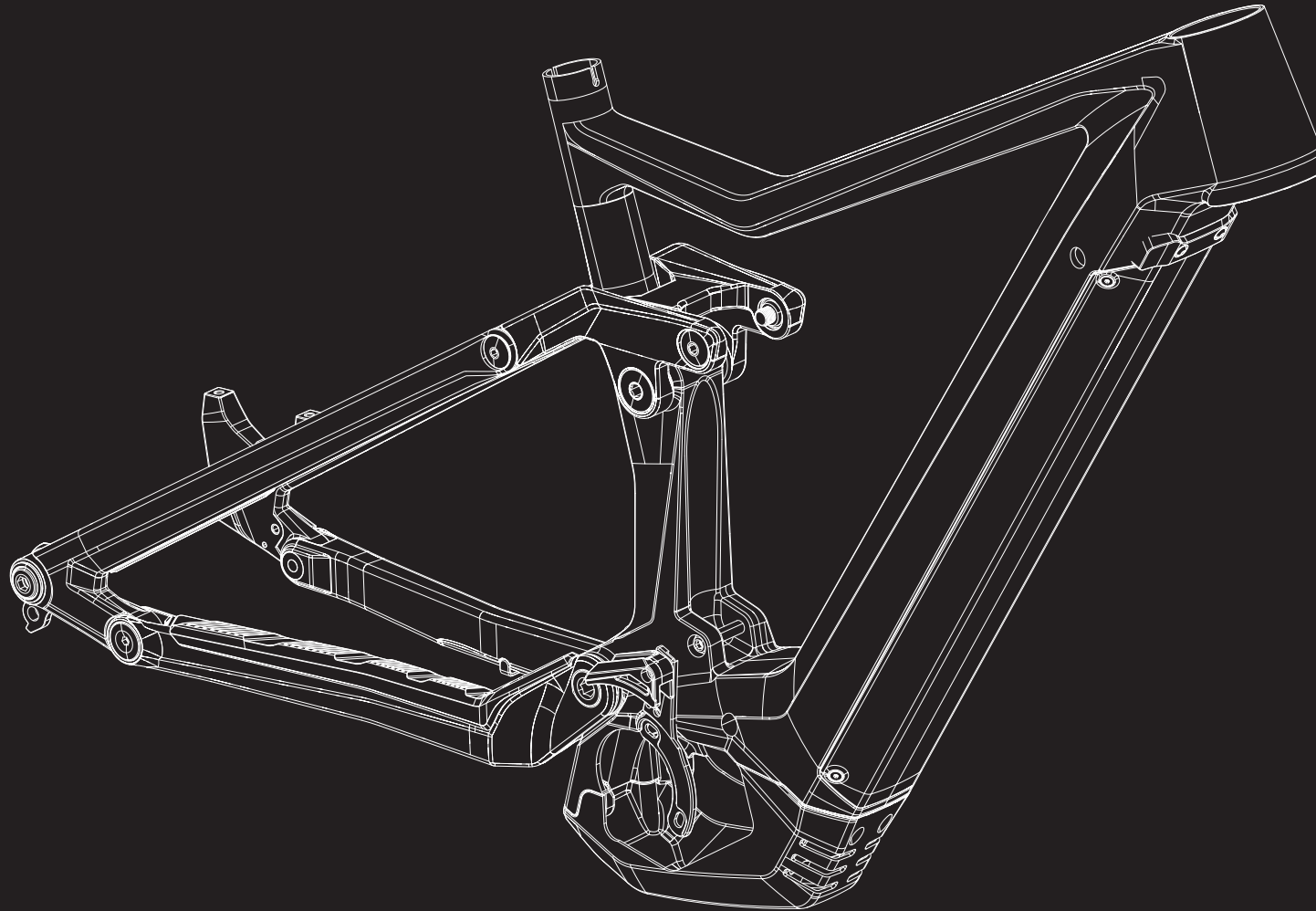


ROSE



ANY QUESTIONS?

technik@rosebikes.com

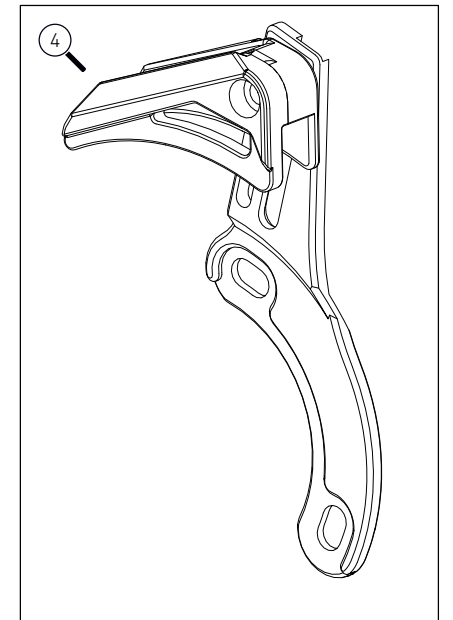
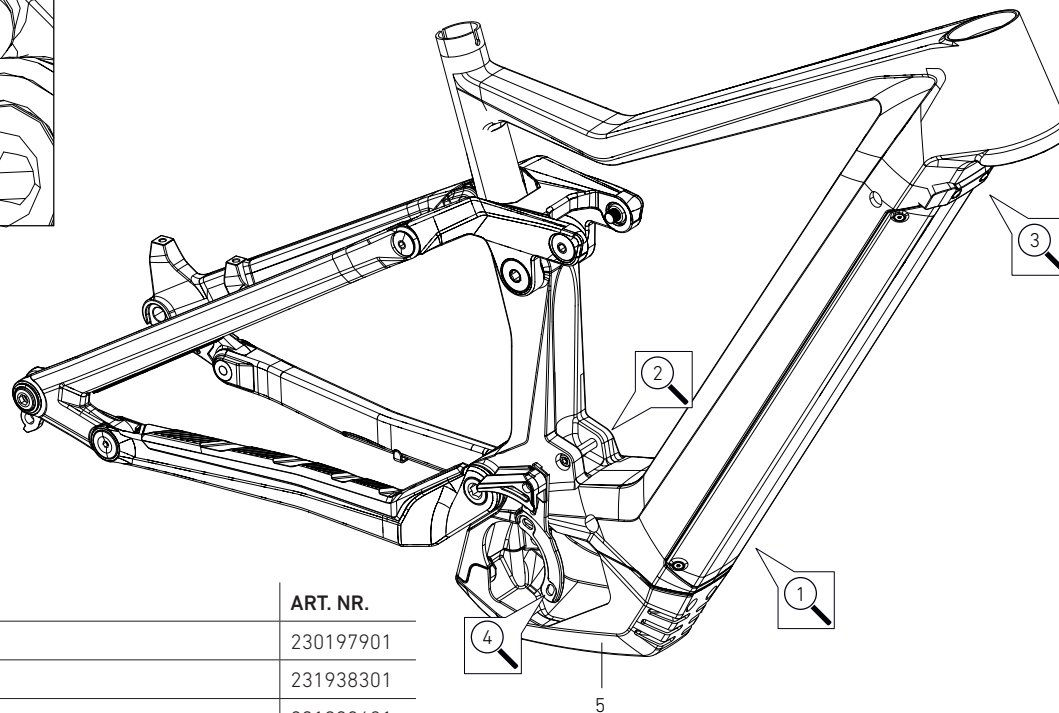
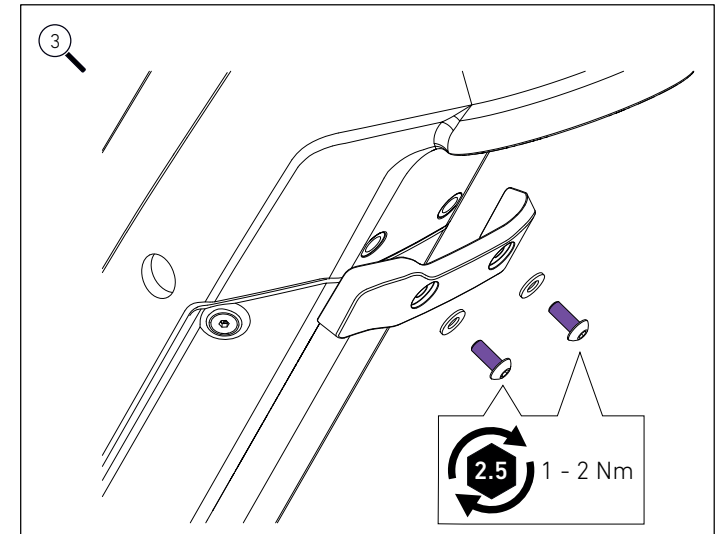
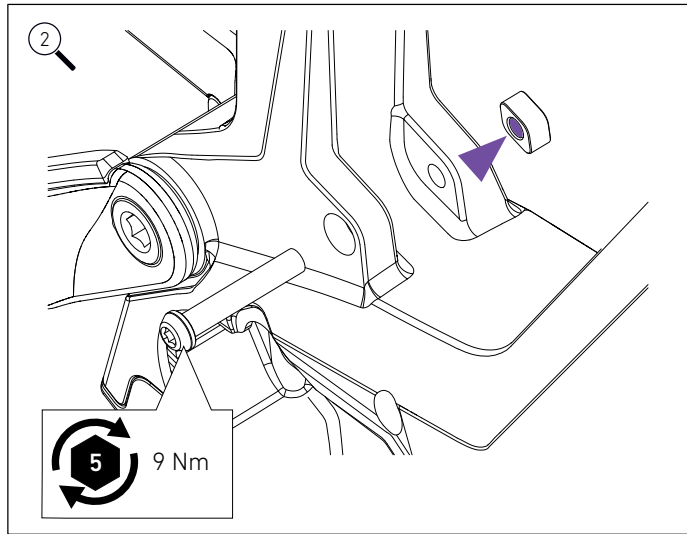
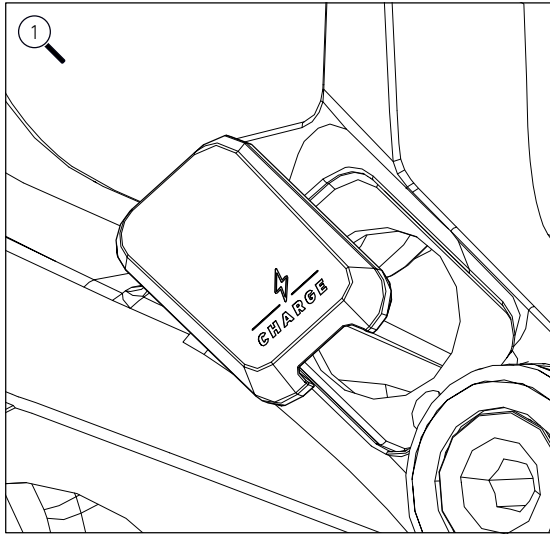
ROSE Bikes GmbH
Schersweide 4
46395 Bocholt, Germany

R O O T M I L L E R P L U S

FRAME DETAILS

ROOT MILLER PLUS

FRAME DETAILS



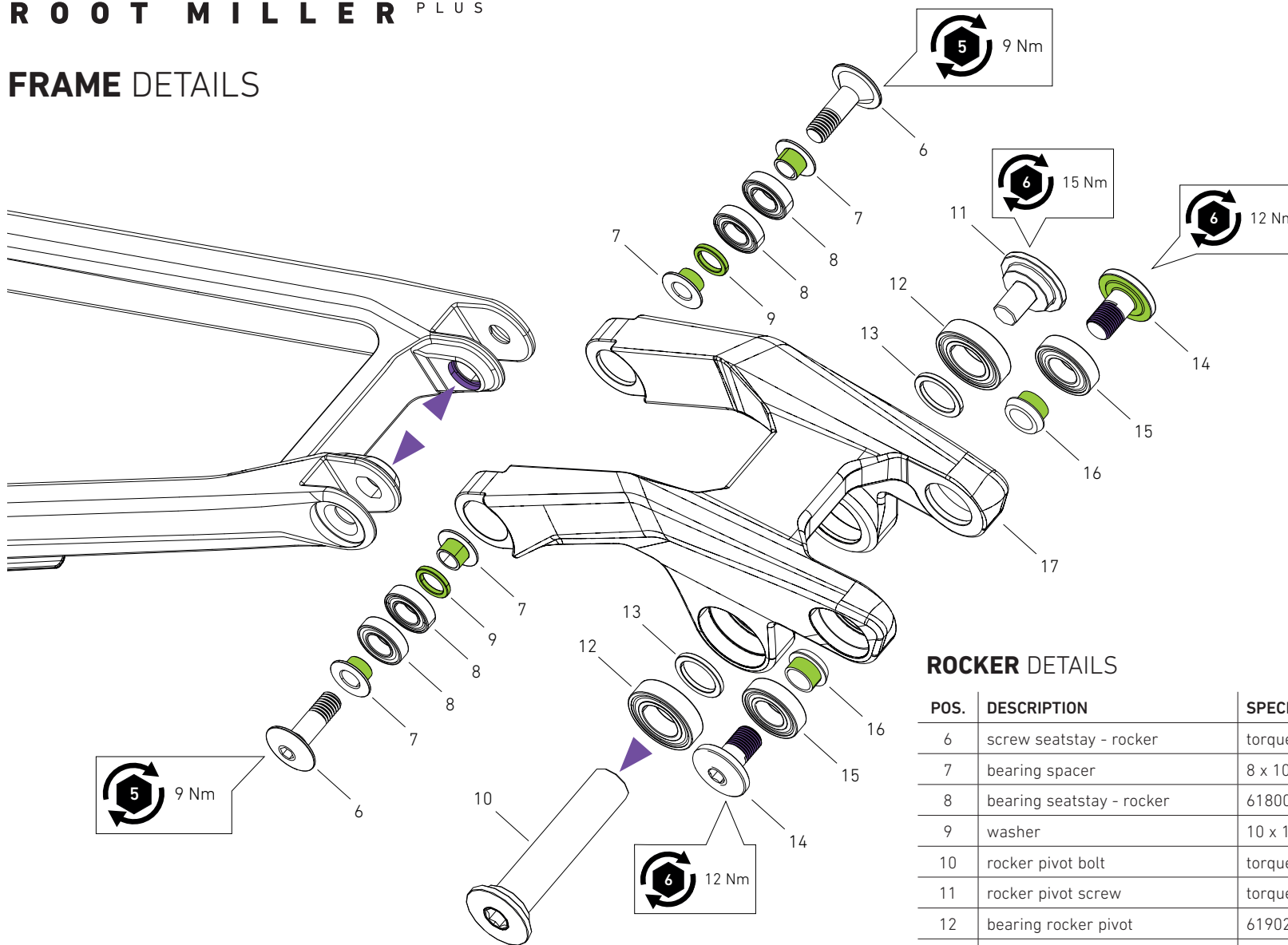
MAIN FRAME DETAILS

POS.	DESCRIPTION	SPECIFICATIONS	ART. NR.
1	charge cover		230197901
2	shock screw		231938301
	shock screw nut		231938601
3	fork bumper		230905201
	screws	M4x10 mm	231940501
	washer	M4	233995901
4	chain guide		230905401

5	motor cover		231938901
	GREASE	Motorex Bike Grease 2000 100 g	49208600
	THREADLOCKER	mid strength	for example 1322431

ROOT MILLER PLUS

FRAME DETAILS



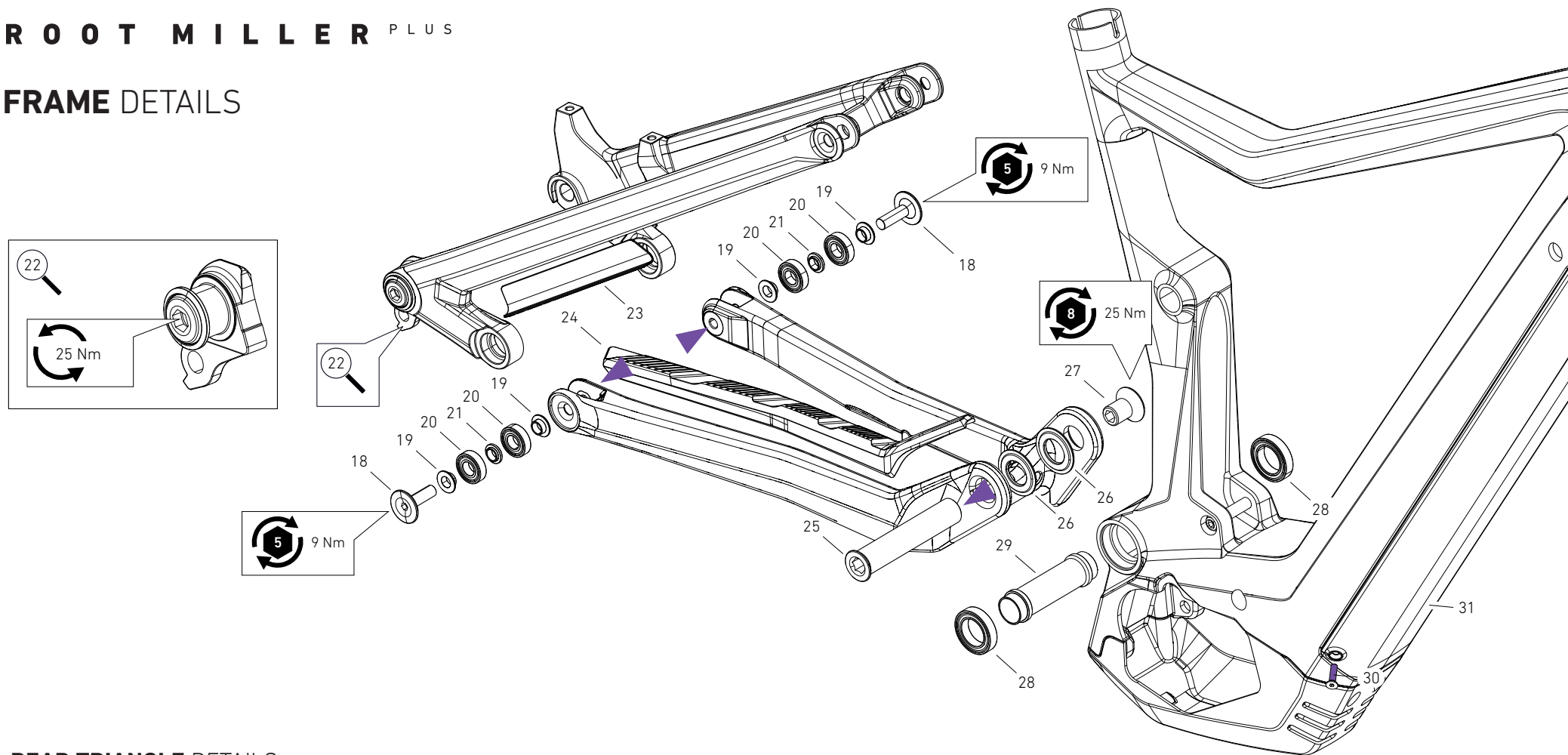
ROCKER DETAILS

POS.	DESCRIPTION	SPECIFICATIONS	ART. NR.
6	screw seatstay - rocker	torque: 9 Nm / tool: 5 mm hex	231937101
7	bearing spacer	8 x 10 x 6.9 mm	1970681
8	bearing seatstay - rocker	61800-2RS1 / 10 x 19 x 5 mm, 4 pcs.	229858301
9	washer	10 x 14 x 2 mm	2190112
10	rocker pivot bolt	torque: 15 Nm / tool: 8mm hex	231936801
11	rocker pivot screw	torque: 15 Nm / tool: 6mm hex	231937101
12	bearing rocker pivot	61902-2RS1, 15 x 28 x 7 mm, 2 pcs.	229858001
13	bearing spacer	15 x 20 x 2 mm	1970742
14	screw shock mount	torque: 12 Nm / tool: 6mm hex	225524701
15	bearing	61901-2RS1 / 12 x 24 x 6 mm, 2 pcs.	230182501
16	bearing bushing	10 x 12 x 8.5 mm	225524101
17	rocker	matt evil pepper green	232059101
		matt silver grey	232059001

	GREASE	Motorex Bike Grease 2000 100 g	49208600
	THREADLOCKER	mid strength	for example Art. Nr. 1322431

ROOT MILLER PLUS

FRAME DETAILS



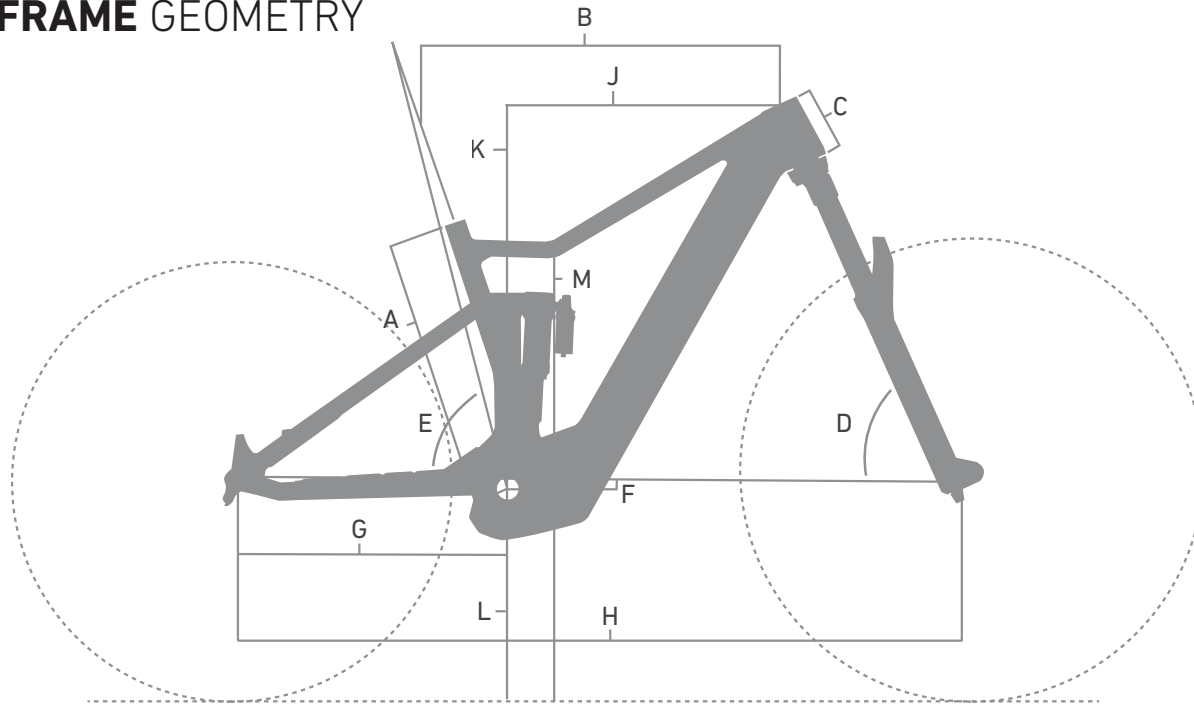
REAR TRIANGLE DETAILS

POS.	DESCRIPTION	SPECIFICATIONS	ART. NR.
18	horst link screw	torque: 9 Nm / tool: 5 mm hex	231938701
19	bearing spacer	8 x 10 x 5 mm	1970681
20	horst link bearing	61900-2RS1 / 10 x 22 x 6 mm, 4 pcs.	229858301
21	T-washer	8 x 10 x 5 mm	231939801
22	derailleurs hanger	SRAM UDH	230116501
23	frame protection seatstay		230224501
24	frame protection chainstay		230905301
	GREASE	Motorex Bike Grease 2000 100 g	49208600
	THREADLOCKER	mid strength	for example Art. Nr. 1322431

POS.	DESCRIPTION	SPECIFICATIONS	ART. NR.
25	main pivot bolt		231937401
26	yoke spacer	18 x 33.5 x 2.5 mm	225194001
27	main pivot screw	torque: 25 Nm / tool: 8 mm hex	231938001
28	main pivot bearing	61804-2RS1 / 20 x 32 x 7 mm, 2 pcs.	230182601
29	sleeve main pivot		231937701
30	fixing screw battery cover		231941001
31	battery cover	for frame size S - evil pepper green	234223601
		for frame size S - matt silvergrey	234223701
		for frame size M, L, XL - evil pepper green	231939101
		for frame size M, L, XL - matt silvergrey	231939201

ROOT MILLER PLUS

FRAME GEOMETRY



FRAME INTERFACES

BOTTOM BRACKET	Bosch Performance CX Gen4
HEADSET	IS52/ZS66, tapered shaft 1.8": 233657701 IS52/ZS66, tapered shaft 1,5": 233657801
REAR WHEEL AXLE	Maxle Stealth rear, L 180 mm, M12 x 1.0, TL 13 mm, matching for SRAM UDH hanger, Art. Nr. 230185901
SHOCK LENGTH X STROKE	205 x 57.5 mm
SHOCK HARDWARE	Trunnion Mount / Ø8 x 25 mm
REAR BRAKE MOUNT	PM203
MAX. Ø REAR BRAKE DISC	220 mm
Ø SEAT TUBE	31.6 mm, internal dropper compatible
Ø SEAT POST CLAMP	36 mm, e.g. ROSE seat post clamp, Art. Nr. 226113801
MAX. TIRE WIDTH	rear: 2.8"
WHEEL SIZE	front: 29" / rear 27.5"
MAX. CHAINRING SIZE	36 T
ISCG	BOSCH Gen4 interface
REAR HUB SPACING	Boost 12 x 148 mm

MAX SYSTEM WEIGHT (RIDER + BICYCLE + CLOTHING + GEAR + LUGGAGE): 135 KG

BICYCLE WEIGHT: 23.5 KG (±5 %)

INTENDED USE: DIN 17406 KAT. 4

		SIZE S	SIZE M	SIZE L	SIZE XL
SEAT TUBE LENGTH [MM]	A	415	440	465	490
TOP TUBE LENGTH [MM]	B	564	590	616	648
HEAD TUBE LENGTH [MM]	C	100	105	110	120
HEAD ANGLE	D	66°			
SEAT ANGLE EFFECTIVE	E	76,5°			
BB DROP [MM]	F	13			
CHAIN STAY LENGTH [MM]	G	444			
WHEEL BASE [MM]	H	1171	1198	1225	1259
REACH [MM]	J	415	440	465	495
STACK [MM]	K	616	624	629	638
BB HEIGHT [MM]	L	350			
STANDOVER HEIGHT [MM]	M	757	764	773	779